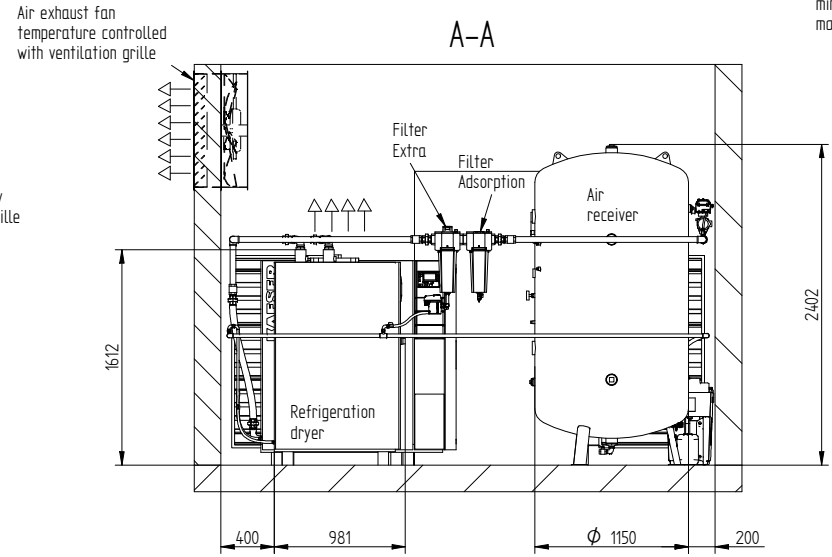
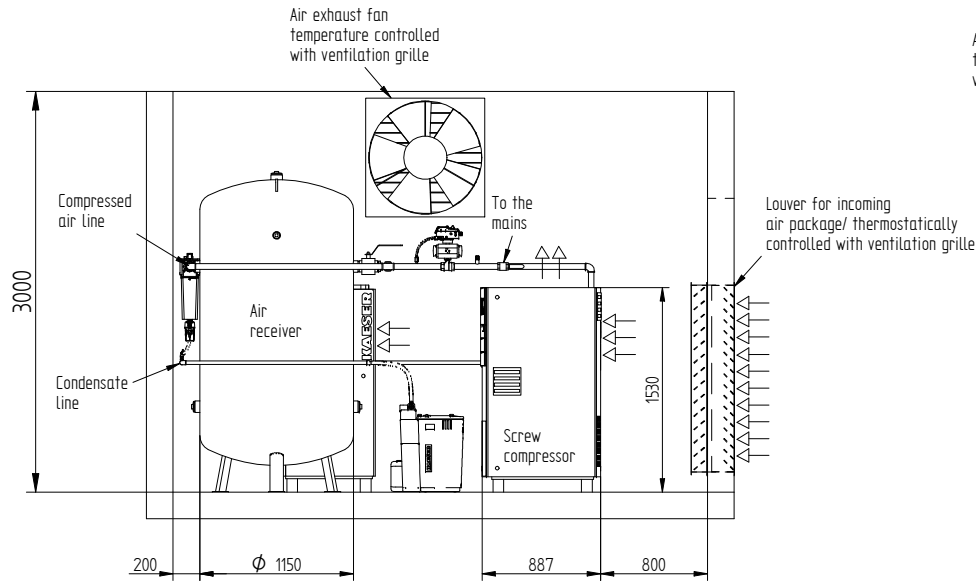
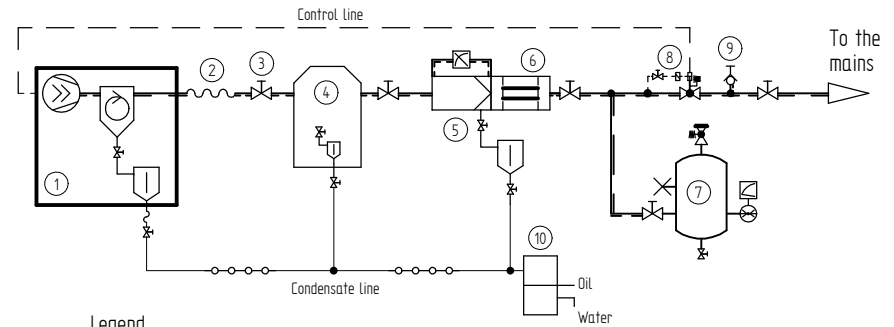
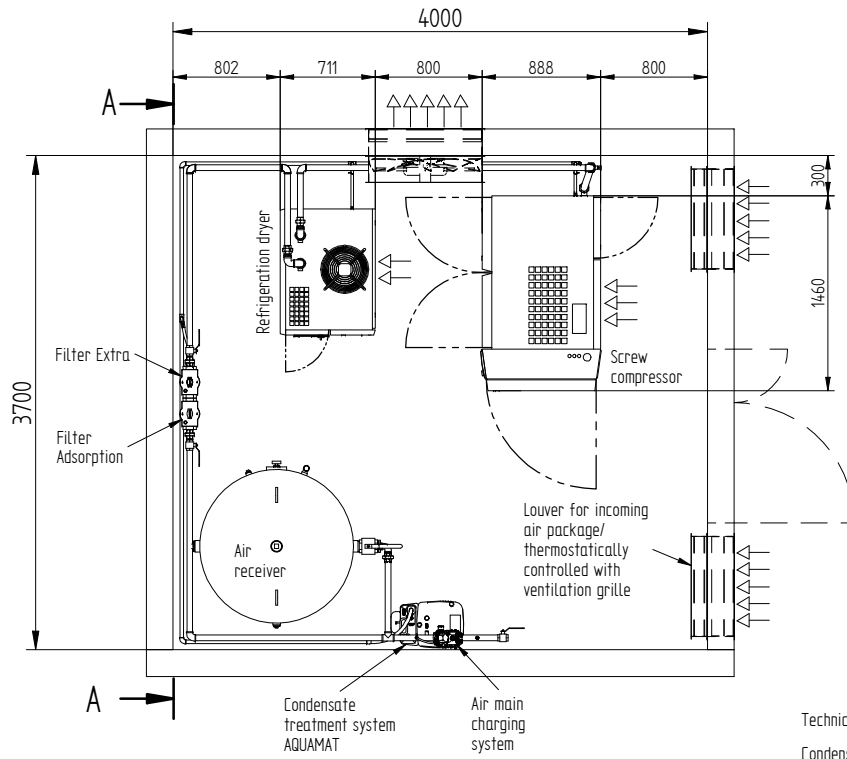


Drawings remain our exclusive property. They are emitted only for the agreed purpose. Copies or any other reproduction, including storage, treatment and dissemination by use of electronic systems must not be made for any other than the agreed purpose. Neither originals nor reproductions may be given to or made available to third parties.

Die Zeichnung bleibt unser ausschließliches Eigentum. Sie wird nur zu dem vereinbarten Zweck anvertraut und darf zu keinem anderen Zweck verwendet werden. Kopien oder sonstige Vervielfältigungen einschließlich Speicherung, Verarbeitung oder Verteilung unter Verwendung elektronischer Systeme dürfen nur zu dem vereinbarten Zweck angefertigt werden. Weder Original noch Vervielfältigungen dürfen an Dritte ausgemittelt oder in sonstiger Weise zugänglich gemacht werden.



Design limits for ambient temperature  
min.: + 3° C  
max.: + 40° C



**Legend**

- 1 Screw compressor
- 2 Hose line
- 3 Ball valve
- 4 Refrigeration dryer
- 5 Filter Extra with electronic condensate drain
- 6 Filter Adsorption
- 7 Air receiver, vertical
- 8 Air main charging system DHS (ensured air supply)
- 9 Hose coupling (Service DHS)
- 10 Condensate treatment system

This drawing also contains work to be done on site. The regulations of EN 1012 and national regulations for setting up of power installations like VDE 0100 have to be observed, the requirements of existing operational safety ordinance and the manuals have to be considered by the operator and the employer respectively at the place of installation. The national safety and accident prevention regulations have to be observed. The installation of a sub- assembly in terms of the pressure equipment directive 2014/ 68/ EU has to be carried out according to this directive.

Technical data see page 2

Condensate lines have to be connected to a collecting line via swan neck or are to be fed to the condensate treatment system separately. A pressure-less drain has to be provided for.

**ATTENTION!**  
Minimum width of door is total component width + 100 mm

**KAESER**  
KOMPRESSOREN

P + I  
 Inst.

Scale  
1:40  
DIN A3

	Date	Name
Drawn	12/01/2017	Nahhas1
Checked	12/01/2017	Hobusch

Description Sample layout sketch // 40° C  
ASD with exhaust air fan  
(Shown ASD 60, TE 102, F 83 KE, F 83 KA)

Plan No.  
**LYMU0004800e**  
Page 1 of 2

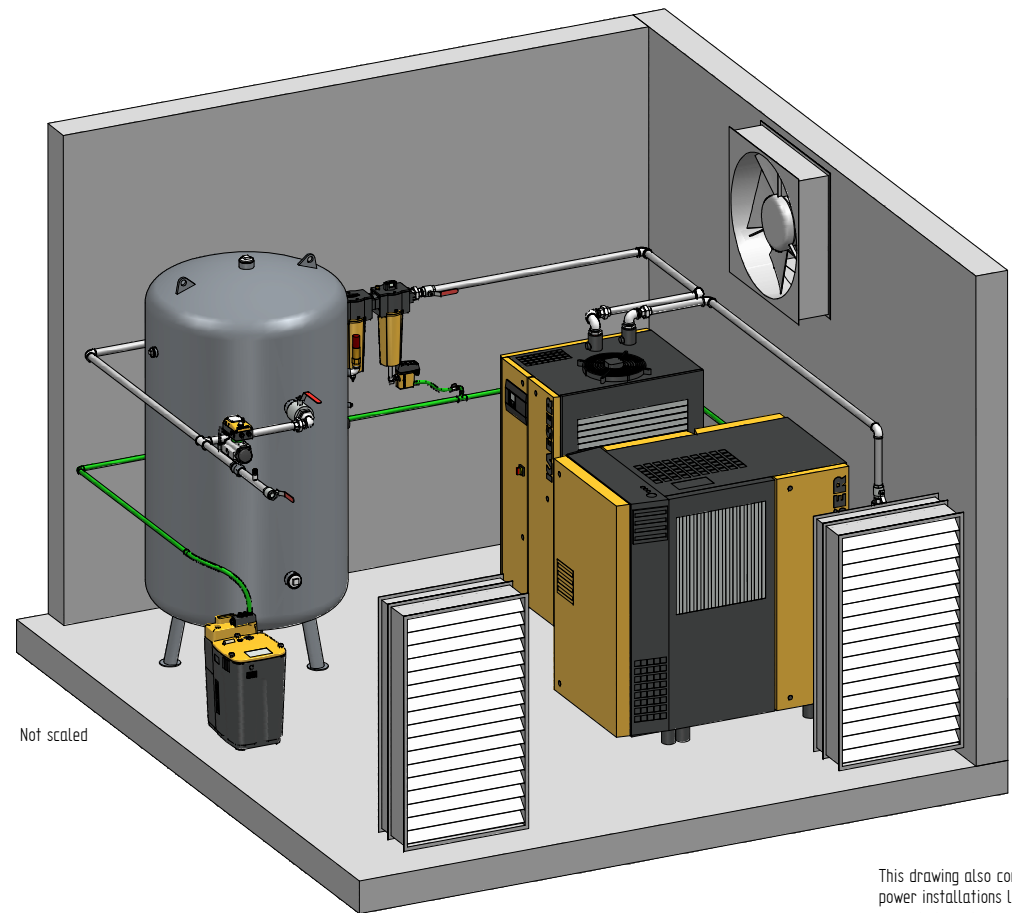
Drawings remain our exclusive property. They are emitted only for the agreed purpose. Copies or any other reproduction, including storage, treatment and dissemination by use of electronic systems must not be made for any other than the agreed purpose. Neither originals nor reproductions may be given to or made available to third parties.

Die Zeichnung bleibt unser ausschließliches Eigentum. Sie wird nur zu dem vereinbarten Zweck anvertraut und darf zu keinem anderen Zweck verwendet werden. Kopien oder sonstige Vervielfältigungen einschließlich Speicherung, Verarbeitung oder Verteilung unter Verwendung elektronischer Systeme dürfen nur zu dem vereinbarten Zweck angefertigt werden. Weder Original noch Vervielfältigungen dürfen an Dritte oder in sonstiger Weise zugänglich gemacht werden.

Compressor model	Working pressure [bar(g)]	Compressed air connection	Air entrance aperture (free cross section) per compressor [m²]	Incoming air volume per compressor [m³/h]	Refrigeration dryer model	Compressed air connection	Air entrance aperture (free cross section) per dryer [m²]	Incoming air volume per dryer [m³/h]	Exhaust air fan (thermostatically controlled) [m³/h]	Filter Extra	Compressed air connection	ECO-DRAIN a)	Filter Adsorption	Compressed air connection	Air receiver [l]	Compressed air connection	Air main charging system	Compressed air connection	Condensate treatment system AQUAMAT a)
ASD 35	8.5	G 1 1/4	0.9	7190	TC 44	G 1 1/4	0.2	2380	9380	F 46 KE	G 1 1/4	31 F	F 46 KA	G 1 1/4	1000	2 × G 1½; 2 × G 2	DHS 32 G	G 1 1/4	CF 6
ASD 40	8.5	G 1 1/4	1.2	8230	TD 61	G 1 1/2	0.3	3480	11480	F 46 KE	G 1 1/4	31 F	F 46 KA	G 1 1/4	2000	G 2½	DHS 32 G	G 1 1/4	CF 9
ASD 50	8.5	G 1 1/4	1.5	10270	TD 61	G 1 1/2	0.3	3480	13480	F 46 KE	G 1 1/2	31 F	F 46 KA	G 1 1/2	2000	G 2½	DHS 32 G	G 1 1/4	CF 9
ASD 60	8.5	G 1 1/4	1.7	12330	TE 102	G 2	0.4	3040	15040	F 83 KE	G 1 1/2	31 F	F 83 KA	G 1 1/2	2000	G 2½	DHS 32 G	G 1 1/4	CF 9

Design limits for ambient temperature  
min. + 3° C  
max. + 40° C

a) Climatic zone 2



Not scaled

Air receiver represents minimum recommended size

This drawing also contains work to be done on site. The regulations of EN 1012 and national regulations for setting up of power installations like VDE 0100 have to be observed; the requirements of existing operational safety ordinance and the manuals have to be considered by the operator and the employer respectively at the place of installation. The national safety and accident prevention regulations have to be observed. The installation of a sub-assembly in terms of the pressure equipment directive 2014/ 68/ EU has to be carried out according to this directive.

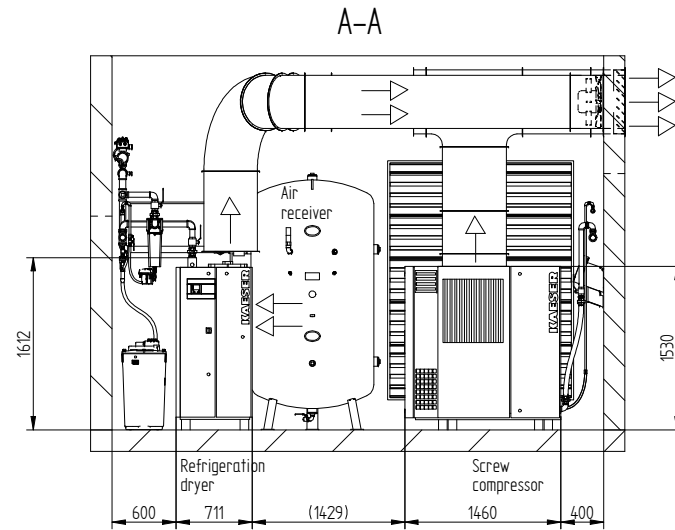
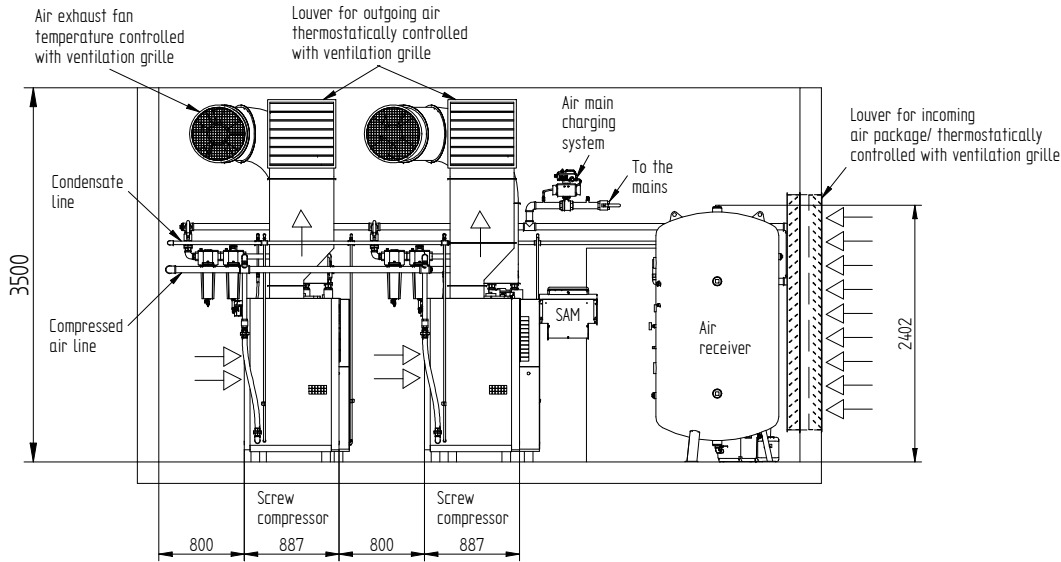
ATTENTION  
Minimum width of door is total component width + 100 mm

Condensate lines have to be connected to a collecting line via swan neck or are to be fed to the condensate treatment system separately. A pressure-less drain has to be provided for.

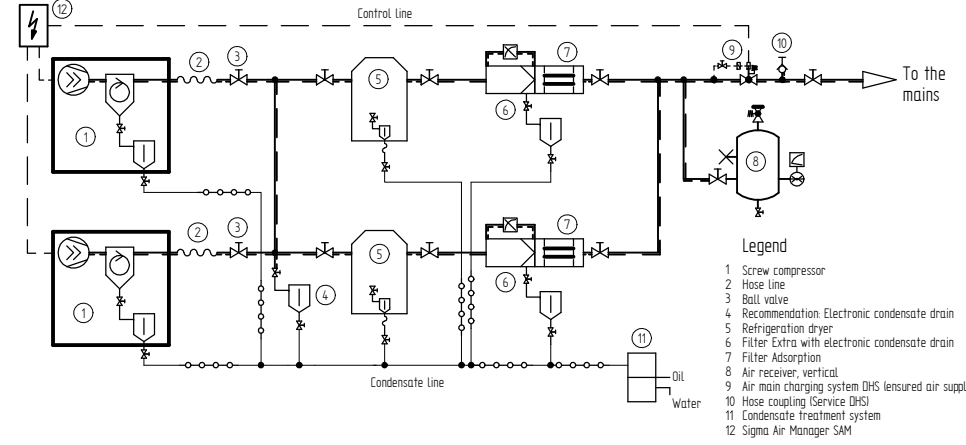
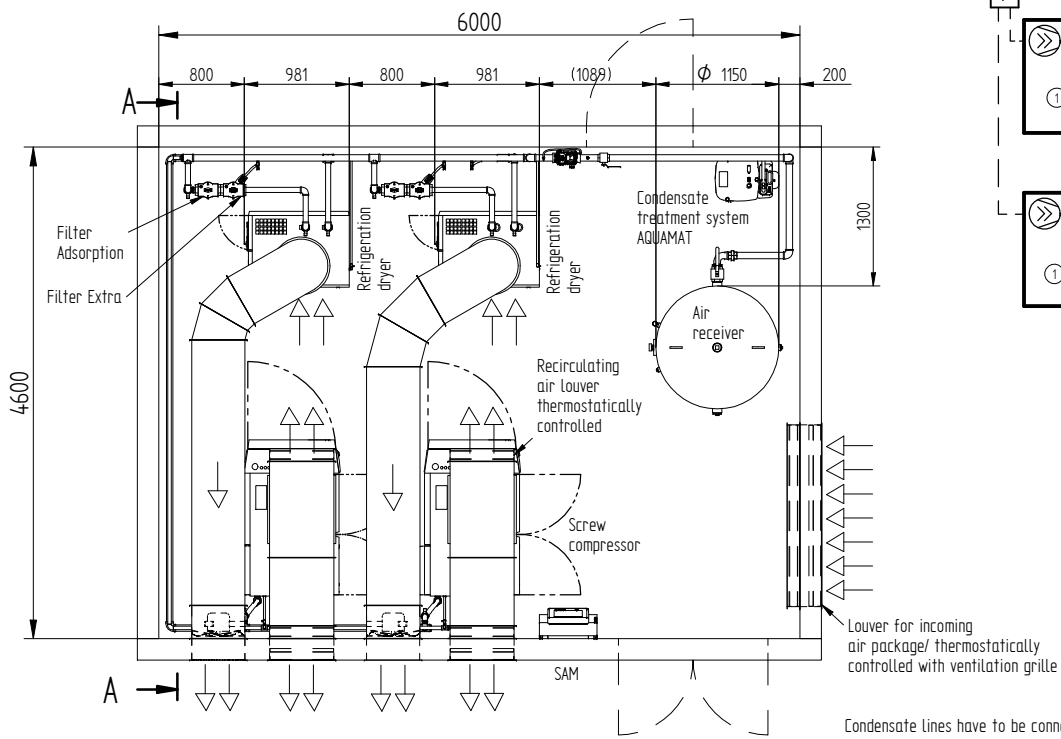
<b>KAESER</b> KOMPRESSOREN	P + I <input checked="" type="checkbox"/>	Scale <b>1:40</b> DIN A3	Date	Name
	Inst. <input checked="" type="checkbox"/>		Drawn	12/01/2017 Nahhas1
Template Rev. 17.07.2016			Checked	12/01/2017 Hobusch
Description <b>Sample layout sketch // 40° C</b> ASD with exhaust air fan (Shown ASD 60, TE 102, F 83 KE, F 83 KA)			Plan No. <b>LYMU0004800e</b>	
			Page <b>2</b> of <b>2</b>	

Drawings remain our exclusive property. They are emitted only for the agreed purpose. Copies or any other reproduction, including storage, treatment and dissemination by use of electronic systems must not be made for any other than the agreed purpose. Neither originals nor reproductions may be given to or made available to third parties.

Die Zeichnung bleibt unser ausschließliches Eigentum. Sie wird nur zu dem vereinbarten Zweck anvertraut und darf zu keinem anderen Zweck verwendet werden. Kopien oder sonstige Vervielfältigungen einschließlich Speicherung, Verarbeitung oder Verteilung unter Verwendung elektronischer Systeme dürfen nur zu dem vereinbarten Zweck angefertigt werden. Weder Original noch Vervielfältigungen dürfen an Dritte ausgemittelt oder in sonstiger Weise zugänglich gemacht werden.



Design limits for ambient temperature  
min: + 3° C  
max: + 40° C



- Legend**
- 1 Screw compressor
  - 2 Hose line
  - 3 Ball valve
  - 4 Recommendation: Electronic condensate drain
  - 5 Refrigeration dryer
  - 6 Filter Extra with electronic condensate drain
  - 7 Filter Adsorption
  - 8 Air receiver, vertical
  - 9 Air main charging system DHS (ensured air supply)
  - 10 Hose coupling (Service DHS)
  - 11 Condensate treatment system
  - 12 Sigma Air Manager SAM

Technical data see page 2 of 2

This drawing also contains work to be done on site. The regulations of EN 1012 and national regulations for setting up of power installations like VDE 0100 have to be observed; the requirements of existing operational safety ordinance and the manuals have to be considered by the operator and the employer respectively at the place of installation. The national safety and accident prevention regulations have to be observed. The installation of a sub-assembly in terms of the pressure equipment directive 2014/ 68/ EU has to be carried out according to this directive.

<b>KAESER KOMPRESSOREN</b>	P + I	Scale	Date	Name
	<input checked="" type="checkbox"/> Inst.	1:50	02/01/2017	Nahhas1
Template Rev. 02.03.2011	<input checked="" type="checkbox"/>	DIN A3	Checked	02/01/2017
Description	Sample layout sketch // 40° C		Plan No.	LYMU0007401e
2x ASD with exhaust air duct (Shown 2x ASD 60, 2x TE 102, 2x F 83 KE, KA)		Page 1 of 2		

**ATTENTION!**  
Minimum width of door is total component width + 100 mm

Condensate lines have to be connected to a collecting line via swan neck or are to be fed to the condensate treatment system separately. A pressure-less drain has to be provided for.

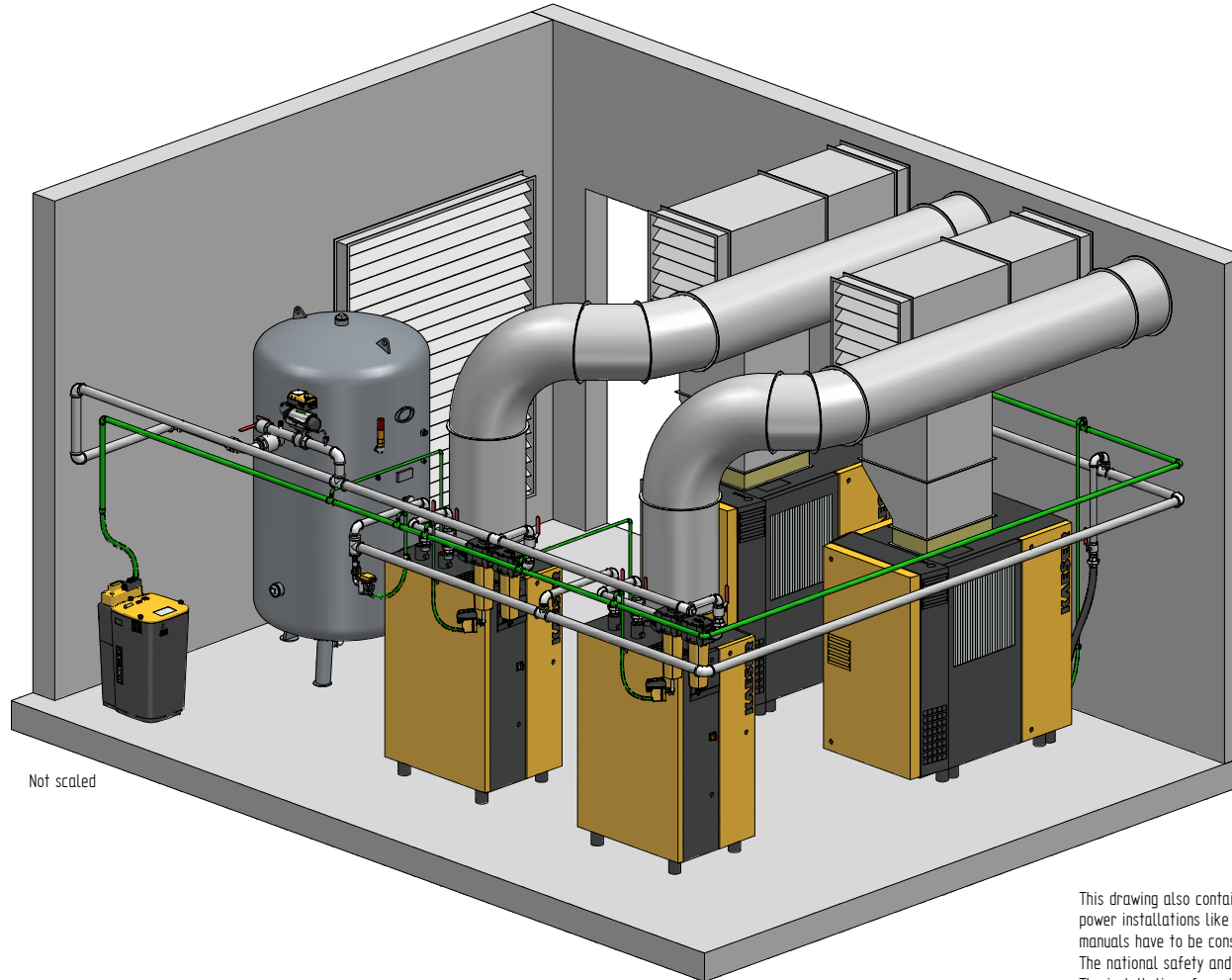
Drawings remain our exclusive property. They are emitted only for the agreed purpose. Copies or any other reproduction, including storage, treatment and dissemination by use of electronic systems must not be made for any other than the agreed purpose. Neither originals nor reproductions may be given to or made available to third parties.

Die Zeichnung bleibt unser ausschließliches Eigentum. Sie wird nur zu dem vereinbarten Zweck anvertraut und darf zu keinem anderen Zweck verwendet werden. Kopien oder sonstige Vervielfältigungen einschließlich Speicherung, Verarbeitung oder Verteilung unter Verwendung elektronischer Systeme dürfen nur zu dem vereinbarten Zweck angefertigt werden. Weder Original, noch Vervielfältigungen dürfen ausnahmslos für andere Zwecke als die vereinbarten Zwecke zur Verfügung gestellt werden.

Compressor model	Working pressure [bar(g)]	Compressed air connection	Air entrance aperture free cross section per unit [m²]	Incoming air volume per unit [m³/h]	Air exhaust duct dimensions (free cross section) per unit [m²]	Permissible overall pressure loss for exhaust duct per unit Δp [Pa]	Compressed air collective line (two units)	Water trap ECO-DRAIN a)	Refrigeration dryer model	Compressed air connection	Air entrance aperture (free cross section) per unit [m²]	Incoming air volume per unit [m³/h]	Exhaust air fan (thermostatically controlled) per dryer [m³/h]	Filter Extra	Compressed air connection	ECO-DRAIN a)	Filter Adsorption	Compressed air connection	Air receiver [l]	Compressed air connection	Control	Air main charging system	Compressed air connection	Condensate treatment unit AQUAMAT a)
ASD 35	8.5	G 1 1/4	0.5	3990	0.36	60	G 2	31	TC 44	G 1 1/4	0.2	2380	2380	F 46 KE	G 1 1/4	31 F	F 46 KA	G 1 1/4	1000	2 × G 1½; 2 × G 2	SAM 4.0	DHS 50 G	G 2	CF 19
ASD 40	8.5	G 1 1/4	0.6	4030	0.36	60	G 2	31	TD 61	G 1 1/2	0.3	3480	3480	F 46 KE	G 1 1/2	31 F	F 46 KA	G 1 1/2	2000	G 2½	SAM 4.0	DHS 50 G	G 2	CF 19
ASD 50	8.5	G 1 1/4	0.7	4770	0.36	60	G 2	31	TD 61	G 1 1/2	0.3	3480	3480	F 46 KE	G 1 1/2	31 F	F 46 KA	G 1 1/2	2000	G 2½	SAM 4.0	DHS 50 G	G 2	CF 19
ASD 60	8.5	G 1 1/4	0.8	5730	0.36	40	G 2	31	TE 102	G 2	0.4	3040	3040	F 83 KE	G 2	31 F	F 83 KA	G 2	2000	G 2½	SAM 4.0	DHS 50 G	G 2	CF 19

Design limits for ambient temperature  
min: + 3° C  
max: + 40° C

a) Climatic zone 2



Not scaled

Air receiver represents minimum recommended size

This drawing also contains work to be done on site. The regulations of EN 1012 and national regulations for setting up of power installations like VDE 0100 have to be observed; the requirements of existing operational safety ordinance and the manuals have to be considered by the operator and the employer respectively at the place of installation. The national safety and accident prevention regulations have to be observed. The installation of a sub-assembly in terms of the pressure equipment directive 2014/ 68/ EU has to be carried out according to this directive.

**EMINENT POWER ENGINEERING PVT LTD**  
 Regd. Office : 871/B1/D, GIDC Industrial Estate,  
 Near Himalaya Char Rasta, Makarpura, Vadodara-390 010.  
 Ph : +91 9824459599, Email : info@eminentpowerepl.com,  
 Website : www.eminentpowerepl.com

ATTENTION!  
 Minimum width of door is total component width + 100 mm

Condensate lines have to be connected to a collecting line via swan neck or are to be fed to the condensate treatment system separately. A pressure-less drain has to be provided for.

<b>KAESER</b> KOMPRESSOREN	P + I	Scale	Date	Name
	<input checked="" type="checkbox"/> Inst.	1:50	02/01/2017	Nahhas1
Template Rev. 02.03.2011	<input checked="" type="checkbox"/>	DIN A3	02/01/2017	Hobusch
Description Sample layout sketch // 40° C 2x ASD with exhaust air duct (Shown 2x ASD 60, 2x TE 102, 2x F 83 KE, KA)			Plan No. LYMU0007401e	
			Page 2 of 2	

We reserve the right to make changes in the course of development. This drawing can only be modified with CAD